

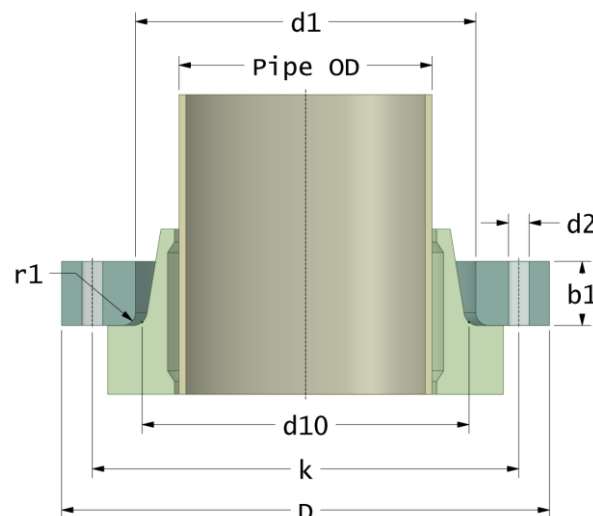
# Backing Rings FRP

by SMC Hot Pressing

Resin Polyester / Gray colour



**ROTEC**  
Composite Group



with drillings according to

**EN1092 PN 16**

suitable for **PVC stub flange**

January 2025

Page 1/2

DN	Pmax	Pipe OD	D	d1	d10	r1	k	Holes	d2	b1	Article Number	
(mm)	(bar)	(mm)	(mm)	(mm)	(mm)	(mm)	(mm)	(no.)	(mm)	(mm)	(code)	
10	16	15	98	23	22	3	60	4	14	15	BRPVC-10-23-16/16	
15	16	20	98	28	27	3	65	4	14	15	BRPVC-15-28-16/16	
20	16	25	116	34	33	3	75	4	14	15	BRPVC-20-34-16/16	
25	16	32	116	42	41	3	85	4	14	15	BRPVC-25-42-16/16	
32	16	40	140	51	50	3	100	4	18	16	BRPVC-32-51-16/16	
40	16	50	154	62	61	3	110	4	18	18	BRPVC-40-62-16/16	
50	16	63	164	78	76	3	125	4	18	18	BRPVC-50-78-16/16	
65	10	75	184	92	90	3	145	4	18	18	BRPVC-65-92-10/16	
65	16	75	184	92	90	3	145	4	18	22	BRPVC-65-92-16/16	
80	10	90	200	110	108	3	160	8	18	23	BRPVC-80-110-10/16	
80	16	90	200	110	108	3	160	8	18	28	BRPVC-80-110-16/16	
100	10	110	228	134	132	3	180	8	18	25	BRPVC-100-134-10/16	
100	16	110	228	134	132	3	180	8	18	30	BRPVC-100-134-16/16	
110	10	125	240	150	148	3	190	8	18	25	BRPVC-110-150-10/16	
110	16	125	240	150	148	3	190	8	18	30	BRPVC-110-150-16/16	
125	10	125	254	150	148	3	210	8	18	28	BRPVC-125-150-10/16	
125	16	125	254	150	148	3	210	8	18	34	BRPVC-125-150-16/16	
125	10	140	254	167	165	3	210	8	18	28	BRPVC-125-167-10/16	
125	16	140	254	167	165	3	210	8	18	34	BRPVC-125-167-16/16	

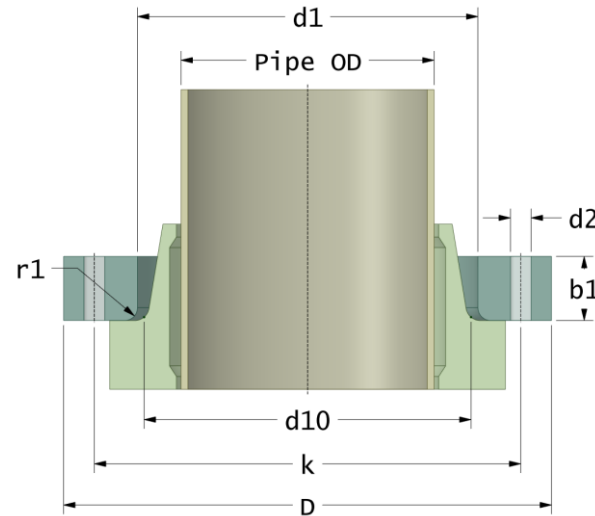
# Backing Rings FRP

by SMC Hot Pressing

Resin Polyester / Gray colour



**ROTEC**  
Composite Group



with drillings according to

**EN1092 PN 16**

suitable for **PVC stub flange**

January 2025

DN (mm)	Pmax (bar)	Pipe OD (mm)	D (mm)	d1 (mm)	d10 (mm)	r1 (mm)	k (mm)	Holes (no.)	d2 (mm)	b1 (mm)	Article Number (code)	
150	10	160	284	190	188	3	240	8	22	34	BRPVC-150-190-10/16	
150	16	160	284	190	188	3	240	8	22	40	BRPVC-150-190-16/16	
200	10	200	342	226	224	3	295	12	22	38	BRPVC-200-226-10/16	
200	16	200	342	226	224	3	295	12	22	48	BRPVC-200-226-16/16	
200	10	200	342	235	232	3	295	12	22	38	BRPVC-200-235-10/16	
200	16	200	342	235	232	3	295	12	22	48	BRPVC-200-235-16/16	
200	10	225	342	252	248	3	295	12	22	38	BRPVC-200-252-10/16	
200	16	225	342	252	248	3	295	12	22	48	BRPVC-200-252-16/16	
225	10	250	370	277	273	3	355	12	26	42	BRPVC-225-277-10/16	
225	16	250	370	277	273	3	355	12	26	54	BRPVC-225-277-16/16	
250	10	250	405	277	273	3	355	12	26	42	BRPVC-250-277-10/16	
250	16	250	405	277	273	3	355	12	26	54	BRPVC-250-277-16/16	
250	10	280	405	310	306	3	355	12	26	42	BRPVC-250-310-10/16	
250	16	280	405	310	306	3	355	12	26	54	BRPVC-250-310-16/16	
300	10	315	458	350	347	3	410	12	26	48	BRPVC-300-350-10/16	