

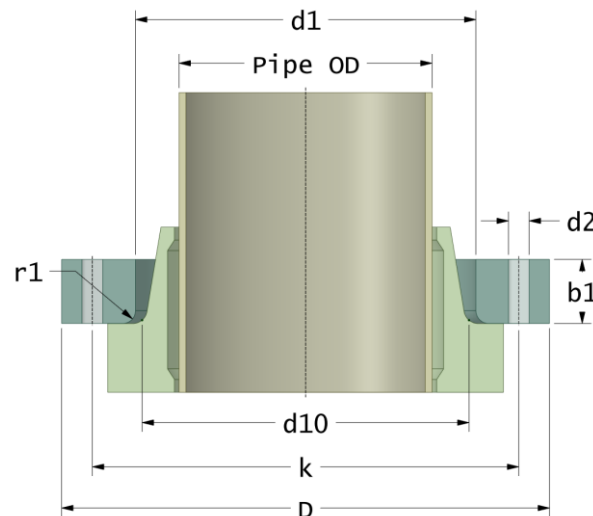
Backing Rings FRP

by SMC Hot Pressing

Resin Polyester / Gray colour



ROTEC
Composite Group



with drillings according to

EN1092 PN 10

suitable for **PVC stub flange**

January 2025

Page 1/2

DN (mm)	Pmax (bar)	Pipe OD (mm)	D (mm)	d1 (mm)	d10 (mm)	r1 (mm)	k (mm)	Holes (no.)	d2 (mm)	b1 (mm)	Article Number (code)	
10	16	16	98	23	22	3	60	4	14	15	BRPVC-10-23-16/16	
15	16	20	98	28	27	3	65	4	14	15	BRPVC-15-28-16/16	
20	16	25	116	34	33	3	75	4	14	15	BRPVC-20-34-16/16	
25	16	32	116	42	41	3	85	4	14	15	BRPVC-25-42-16/16	
32	16	40	140	51	50	3	100	4	18	16	BRPVC-32-51-16/16	
40	16	50	154	62	61	3	110	4	18	18	BRPVC-40-62-16/16	
50	16	63	164	78	76	3	125	4	18	18	BRPVC-50-78-16/16	
65	10	75	184	92	90	3	145	4	18	18	BRPVC-65-92-10/16	
80	6	90	200	110	108	3	160	8	18	18	BRPVC-80-110-06/16	
80	10	90	200	110	108	3	160	8	18	23	BRPVC-80-110-10/16	
100	6	110	228	134	132	3	180	8	18	20	BRPVC-100-134-06/16	
100	10	110	228	134	132	3	180	8	18	25	BRPVC-100-134-10/16	
110	6	125	240	150	148	3	190	8	18	20	BRPVC-110-150-06/16	
110	10	125	240	150	148	3	190	8	18	25	BRPVC-110-150-10/16	
125	6	125	254	150	148	3	210	8	18	22	BRPVC-125-150-06/16	
125	10	125	254	150	148	3	210	8	18	28	BRPVC-125-150-10/16	
125	6	140	254	167	165	3	210	8	18	22	BRPVC-125-167-06/16	
125	10	140	254	167	165	3	210	8	18	28	BRPVC-125-167-10/16	

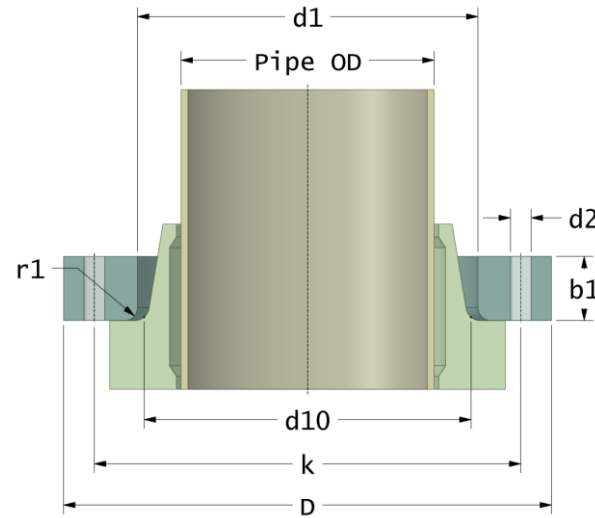
Backing Rings FRP

by SMC Hot Pressing

Resin Polyester / Gray colour



ROTEC
Composite Group



with drillings according to

EN1092 PN 10

suitable for **PVC stub flange**

January 2025

Page 2/2

DN (mm)	Pmax (bar)	Pipe OD (mm)	D (mm)	d1 (mm)	d10 (mm)	r1 (mm)	k (mm)	Holes (no.)	d2 (mm)	b1 (mm)	Article Number (code)	
150	6	160	284	190	188	3	240	8	22	25	BRPVC-150-190-06/16	
150	10	160	284	190	188	3	240	8	22	32	BRPVC-150-190-10/16	
175	4	200	315	226	224	3	270	8	22	25	BRPVC-175-226-04/10	
175	10	200	315	226	224	3	270	8	22	38	BRPVC-175-226-10/10	
200	4	200	342	226	224	3	295	8	22	26	BRPVC-200-226-04/10	
200	10	200	342	226	224	3	295	8	22	38	BRPVC-200-226-10/10	
200	4	200	342	235	232	3	295	8	22	26	BRPVC-200-235-04/10	
200	10	200	342	235	232	3	295	8	22	38	BRPVC-200-235-10/10	
200	4	225	342	252	248	3	295	8	22	26	BRPVC-200-252-04/10	
200	10	225	342	252	248	3	295	8	22	38	BRPVC-200-252-10/10	
225	4	250	370	277	273	3	325	8	22	28	BRPVC-225-277-04/10	
225	10	250	370	277	273	3	325	8	22	42	BRPVC-225-277-10/10	
250	4	250	405	277	273	3	350	12	22	28	BRPVC-250-277-04/10	
250	10	250	405	277	273	3	350	12	22	42	BRPVC-250-277-10/10	
250	4	280	405	310	306	3	350	12	22	28	BRPVC-250-310-04/10	
250	10	280	405	310	306	3	350	12	22	42	BRPVC-250-310-10/10	
300	4	315	458	350	347	3	400	12	22	32	BRPVC-300-350-04/10	
300	10	315	458	350	347	3	400	12	22	48	BRPVC-300-350-10/10	