

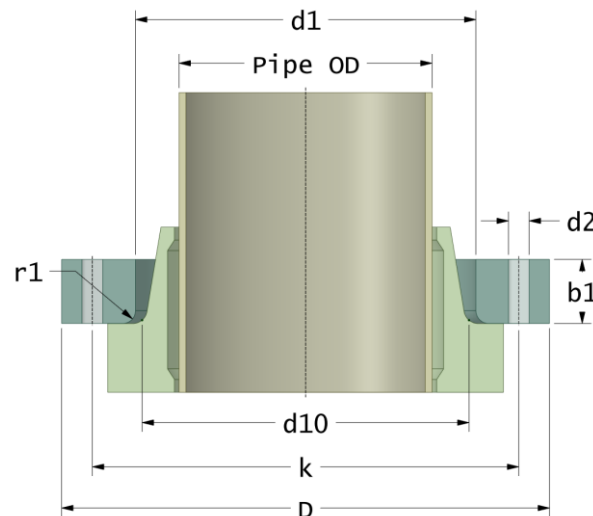
Backing Rings FRP

by SMC Hot Pressing

Resin Polyester / Black colour



ROTEC
Composite Group



with drillings according to

EN1092 PN 16

suitable for PE & PP stub flange

January 2025

Page 1/2

| DN (mm) | Pmax (bar) | Pipe OD (mm) | D (mm) | d1 (mm) | d10 (mm) | r1 (mm) | k (mm) | Holes (no.) | d2 (mm) | b1 (mm) | Article Number (code) |
|------------|---------------|-----------------|-----------|------------|-------------|------------|-----------|----------------|------------|------------|--------------------------|
| 15 | 16 | 20 | 98 | 28 | 27 | 3 | 65 | 4 | 14 | 15 | BRPPE-15-28-16/16 |
| 20 | 16 | 25 | 116 | 34 | 33 | 3 | 75 | 4 | 14 | 15 | BRPPE-20-34-16/16 |
| 25 | 16 | 32 | 116 | 42 | 40 | 3 | 85 | 4 | 14 | 15 | BRPPE-25-42-16/16 |
| 32 | 16 | 40 | 140 | 51 | 50 | 3 | 100 | 4 | 18 | 16 | BRPPE-32-51-16/16 |
| 40 | 16 | 50 | 154 | 62 | 61 | 3 | 110 | 4 | 18 | 18 | BRPPE-40-62-16/16 |
| 50 | 16 | 63 | 164 | 78 | 77 | 4 | 125 | 4 | 18 | 18 | BRPPE-50-78-16/16 |
| 65 | 16 | 75 | 184 | 92 | 89 | 4 | 145 | 4 | 18 | 20 | BRPPE-65-92-16/16 |
| 80 | 10 | 90 | 200 | 108 | 107 | 4 | 160 | 8 | 18 | 23 | BRPPE-80-108-10/16 |
| 80 | 16 | 90 | 200 | 108 | 107 | 4 | 160 | 8 | 18 | 28 | BRPPE-80-108-16/16 |
| 100 | 6 | 110 | 228 | 128 | 125 | 5 | 180 | 8 | 18 | 20 | BRPPE-100-128-06/16 |
| 100 | 10 | 110 | 228 | 128 | 125 | 5 | 180 | 8 | 18 | 25 | BRPPE-100-128-10/16 |
| 100 | 16 | 110 | 228 | 128 | 125 | 5 | 180 | 8 | 18 | 30 | BRPPE-100-128-16/16 |
| 100 | 6 | 125 | 228 | 134 | 133 | 5 | 180 | 8 | 18 | 20 | BRPPE-100-134-06/16 |
| 100 | 10 | 125 | 228 | 134 | 133 | 5 | 180 | 8 | 18 | 25 | BRPPE-100-134-10/16 |
| 100 | 16 | 125 | 228 | 134 | 133 | 5 | 180 | 8 | 18 | 30 | BRPPE-100-134-16/16 |
| 125 | 6 | 140 | 254 | 158 | 155 | 5 | 210 | 8 | 18 | 22 | BRPPE-125-158-06/16 |
| 125 | 10 | 140 | 254 | 158 | 155 | 5 | 210 | 8 | 18 | 28 | BRPPE-125-158-10/16 |
| 125 | 16 | 140 | 254 | 158 | 155 | 5 | 210 | 8 | 18 | 34 | BRPPE-125-158-16/16 |

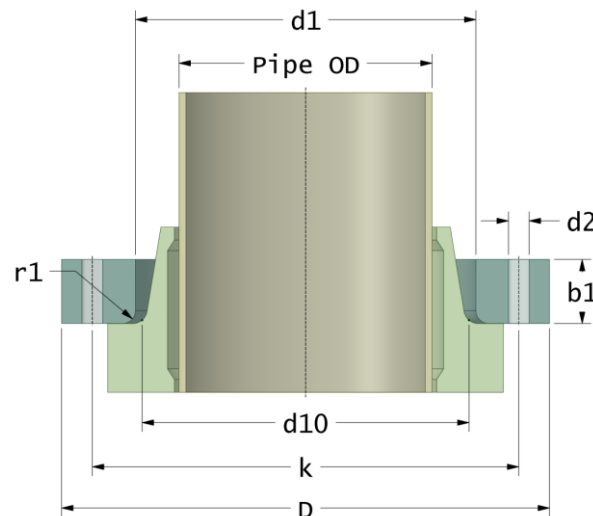
Backing Rings FRP

by SMC Hot Pressing

Resin Polyester / Black colour



ROTEC
Composite Group



with drillings according to

EN1092 PN 16

suitable for **PE & PP stub flange**

January 2025

Page 2/2

| DN (mm) | Pmax (bar) | Pipe OD (mm) | D (mm) | d1 (mm) | d10 (mm) | r1 (mm) | k (mm) | Holes (no.) | d2 (mm) | b1 (mm) | Article Number (code) | |
|------------|---------------|-----------------|-----------|------------|-------------|------------|-----------|----------------|------------|------------|--------------------------|--------|
| 150 | 6 | 160 | 284 | 178 | 175 | 5 | 240 | 8 | 22 | 25 | BRPPE-150-178-06/16 | |
| 150 | 10 | 160 | 284 | 178 | 175 | 5 | 240 | 8 | 22 | 32 | BRPPE-150-178-10/16 | |
| 150 | 16 | 160 | 284 | 178 | 175 | 5 | 240 | 8 | 22 | 40 | BRPPE-150-178-16/16 | |
| 150 | 6 | 180 | 284 | 185 | 182 | 5 | 240 | 8 | 22 | 25 | BRPPE-150-185-06/16 | |
| 150 | 10 | 180 | 284 | 185 | 182 | 5 | 240 | 8 | 22 | 32 | BRPPE-150-185-10/16 | |
| 150 | 16 | 180 | 284 | 185 | 182 | 5 | 240 | 8 | 22 | 40 | BRPPE-150-185-16/16 | |
| 200 | 10 | 200 | 342 | 235 | 232 | 6 | 295 | 12 | 22 | 38 | BRPPE-200-235-10/16 | |
| 200 | 16 | 200 | 342 | 235 | 232 | 6 | 295 | 12 | 22 | 48 | BRPPE-200-235-16/16 | |
| 200 | 10 | 225 | 342 | 238 | 237 | 6 | 295 | 12 | 22 | 38 | BRPPE-200-238-10/16 | |
| 200 | 16 | 225 | 342 | 238 | 237 | 6 | 295 | 12 | 22 | 48 | BRPPE-200-238-16/16 | |
| 250 | 10 | 250 | 405 | 288 | 285 | 6 | 355 | 12 | 26 | 42 | BRPPE-250-288-10/16 | |
| 250 | 16 | 250 | 405 | 288 | 285 | 6 | 355 | 12 | 26 | 54 | BRPPE-250-288-16/16 | |
| 250 | 10 | 280 | 405 | 294 | 293 | 6 | 355 | 12 | 26 | 42 | BRPPE-250-294-10/16 | |
| 250 | 16 | 280 | 405 | 294 | 293 | 6 | 355 | 12 | 26 | 54 | BRPPE-250-294-16/16 | |
| 300 | 10 | 315 | 458 | 338 | 335 | 6 | 410 | 12 | 26 | 48 | BRPPE-300-338-10/16 | 129,60 |

Larger diameters (up to DN 3600) or higher pressure ratings; see BR type (by RTM)