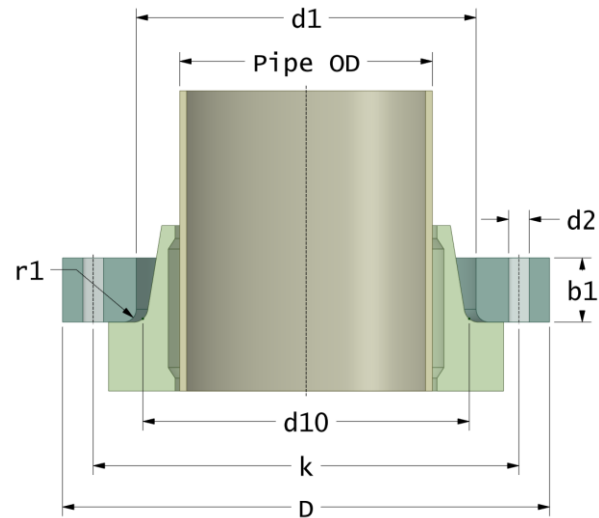


Backing Rings FRP

by SMC Hot Pressing

Resin Vinylester / off-white colour



ROTEC
Composite Group

with drillings according to

ANSI B16.5 Class 150

suitable for **GRP stub flange**

January 2025

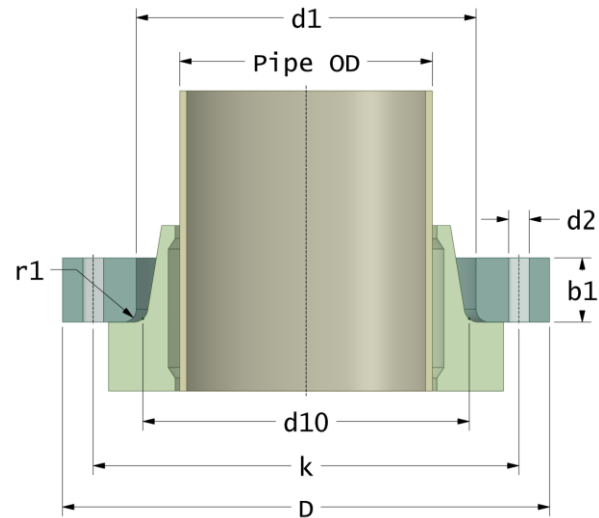
Page 1/2

DN	Pmax	D	d1	d10	r1	k	Holes	d2	b1	Article Number	
(mm)	(bar)	(mm)	(mm)	(mm)	(mm)	(mm)	(no.)	(mm)	(mm)	(code)	
15	16	98	32	31	3	60	4	16	15	BRP-15-32-16/150	
25	16	116	45	44	3	79	4	16	15	BRP-25-45-16/150	
32	16	116	55	54	3	89	4	16	16	BRP-32-55-16/150	
40	16	140	62	61	3	98	4	16	18	BRP-40-62-16/150	
50	16	154	78	77	4	121	4	19	18	BRP-50-78-16/150	
65	16	184	96	95	4	140	4	19	20	BRP-65-96-16/150	
80	10	200	112	111	4	152	4	19	23	BRP-80-112-10/150	
80	16	200	112	111	4	152	4	19	28	BRP-80-112-16/150	
100	6	228	134	133	5	190	8	19	20	BRP-100-134-06/150	
100	10	228	134	133	5	190	8	19	25	BRP-100-134-10/150	
100	16	228	134	133	5	190	8	19	30	BRP-100-134-16/150	
125	6	254	161	160	5	216	8	22	22	BRP-125-161-06/150	
125	10	254	161	160	5	216	8	22	28	BRP-125-161-10/150	
125	16	254	161	160	5	216	8	22	34	BRP-125-161-16/150	
150	6	284	189	188	5	241	8	22	25	BRP-150-189-06/150	
150	10	284	189	188	5	241	8	22	34	BRP-150-189-10/150	
150	16	284	189	188	5	241	8	22	40	BRP-150-189-16/150	

Backing Rings FRP

by SMC Hot Pressing

Resin Vinylester / off-white colour



with drillings according to

ANSI B16.5 Class 150

suitable for **GRP stub flange**

January 2025

Page 2/2

DN	Pmax	D	d1	d10	r1	k	Holes	d2	b1	Article Number	
(mm)	(bar)	(mm)	(mm)	(mm)	(mm)	(mm)	(no.)	(mm)	(mm)	(code)	
200	6	342	238	237	6	298	8	22	32	BRP-200-238-06/150	
200	10	342	238	237	6	298	8	22	38	BRP-200-238-10/150	
200	16	342	238	237	6	298	8	22	48	BRP-200-238-16/150	
250	6	405	294	293	6	362	12	26	34	BRP-250-294-06/150	
250	10	405	294	293	6	362	12	26	42	BRP-250-294-10/150	
250	16	405	294	293	6	362	12	26	54	BRP-250-294-16/150	
300	6	485	344	343	6	432	12	26	38	BRP-300-344-06/150	
300	10	485	344	343	6	432	12	26	52	BRP-300-344-10/150	

Larger diameters (up to DN 3600) or higher pressure ratings; see BR type (by RTM)